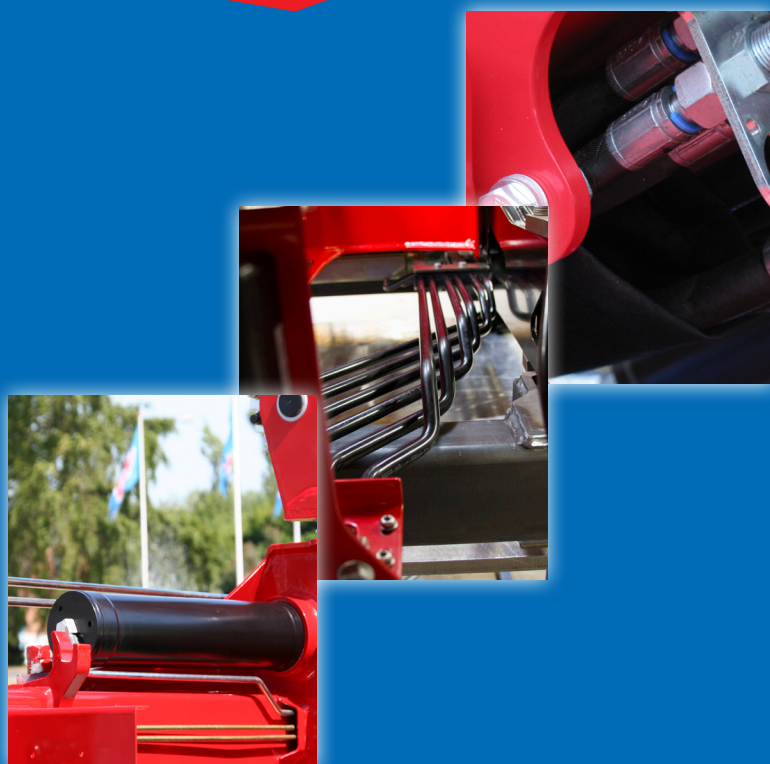


1230-KS



- power to lift





LOADING GROUP HC1/B3		1230-KS1	1230-KS2	1230-KS3
Type			KX	
TECHNICAL DATA				
Load moment	tm	11.9	11.6	10.1
Hydraulic reach	m	5.3	7.5	9.8
Slewing torque	kgm		1325	
Slewing angle	°		420	
Working pressure	bar		330	
Weight excl. stabilizer legs	kg	1055	1180	2135
Weight of stabilizer legs, standard	kg		170	
Pump performance	l/min		40	
Oil tank capacity, separate tank	l		65	
Power consumption	kW		22	
GEOMETRY				
Height above mounting surface	mm		2135	
Width, folded	mm		2350	
Length of crane, no extra valves	mm		747	
Length with 2 extra valves in hose guides	m		868	
Single Power Plus link arm system			Basic	
Over-bending on crane	°		15	
Hook height 1 m from column	m	3.30	3.18	3.07
CONTROL MODE				
Manual operation of crane (JS)			Basic	
Manual operation of stabilizer functions			Basic	
Dual control of crane and stabilizer functions			Basic	
Crane operation from stand-up controls			Option	
Operation of the stabilizer legs up/down from the stand-up platform (HS)			Option	
Radio remote control type RC-h			Option	
CONTROLS				
RCL 5300 Safety System			Basic	
Control valve type (-h) for crane operation			Basic	
Control valve type (-h) for operation of stabilizer legs and beams			Basic	
Full working speed in the entire working area			Basic	
OPTIONS: HYDRAULIC EQUIPMENT				
Oil cooler			Option	
High-pressure filter			Option	
Hydraulically extensible stabilizer beam			Option	
Multi-coupling for extra valves in hose guides			Option	
Extra valves in hose guides			Option	
Footplate with ball joint standard or extended			Option	
2 or 4 available functions for operating the separate traverse			Option	
Biodegradable oil			Option	
74 l oil tank mounted on the crane			Option	
OTHER EQUIPMENT				
Number of manual extensions		1130-KS1	1130-KS2	1130-KS3
EVS stability monitoring system for manually operated cranes			1	1
Work light on crane			Option	
Spotlight on crane operated via radio remote control			Option	
RC-h with joystick (J) or linear control (L)			Option	
ECT 5320 remote control of all functions of the RCL box mounted at the stand-up platform (HS)			Option	
Manual swing-up stabilizer leg with gas spring			Option	



HMF RCL 5300

The system monitors all safety functions and shows the current load moment on the crane.



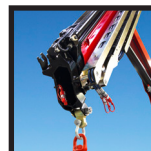
Minimum space requirements

Minimum space requirements give you more space on the truck body - and better economy.



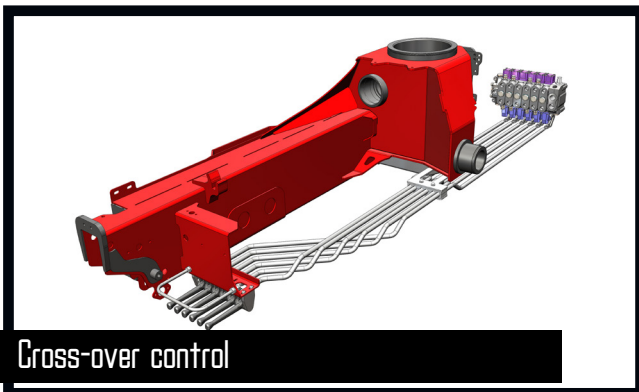
Single link arm system

The HMF single Power Plus link arm system has an excellent lifting capacity at long reach and works particularly fast when loading and unloading with grab.



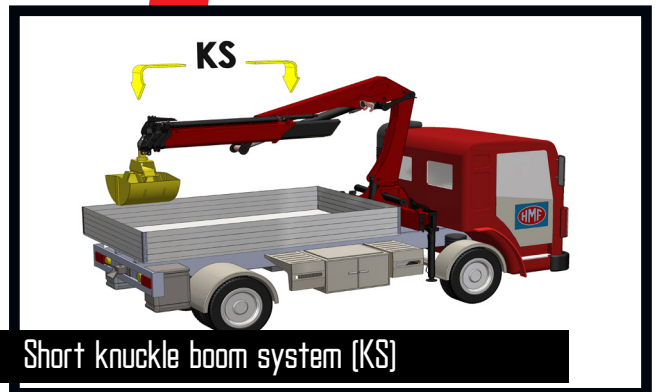
Extra valves, guides

1 or 2 extra valves are fed in sturdy hose guides alongside the jib extension system.



Cross-over control

The lever sequence on manually operated cranes with ground control (JS) can be transferred via cross-over control rods to the opposite side of the crane. Thanks to cross-over controls, you obtain that the control lever sequence is the same in both sides of the crane, i.e. the sequence is from the left: "Slew", "boom", "jib" and "extension". The rods are made of particularly sturdy steel pipes for precise and efficient control of the movements.



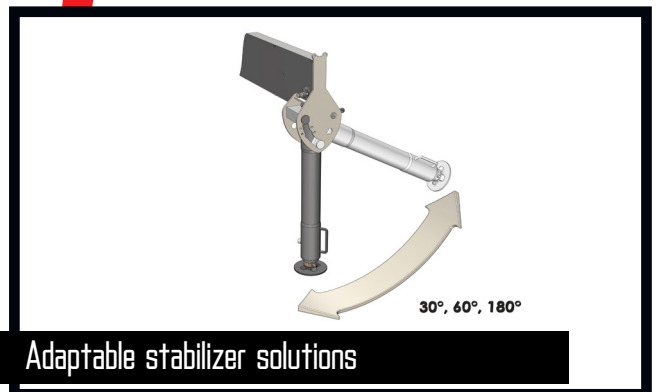
Short knuckle boom system (KS)

The short knuckle boom system (KS) is equipped with a shorter jib than a standard knuckle-boom system. Thanks to a short knuckle boom system, the crane fitted with a grab, can be stowed while extended in a platform body of 4 m without dismantling the grab. The lifting height close to the column is increased with more than 3 m and in this way offers the possibility of lifting tall items close to the column. The boom system is available with 1, 2 or 3 hydraulic extensions.



Stand-up control

With stand-up control, the crane operator has an increased overview of the crane movements. Especially when loading and unloading the platform body with e.g. grab or pallet fork, the crane operator has the full view of both the platform body and the working area. The crane operator is protected by the HSL or HSL-E safety system which prevents the crane from hitting the operator on the stand-up platform.



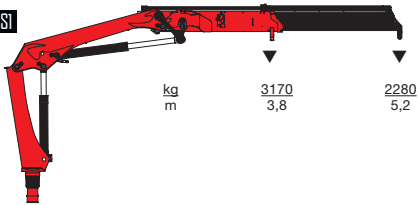
Adaptable stabilizer solutions

The stabilizer legs of the crane are to ensure stability - however they have to be easy to handle and must not take up too much space when not in use. Therefore you can choose between fixed stabilizer legs, manual swing-up stabilizer legs to 30/60° or manual swing-up stabilizer legs to 180° with gas spring. Stabilizer beams can be freely selected as hydraulically extensible or manually extensible, also in connection with the sophisticated EVS stability monitoring.

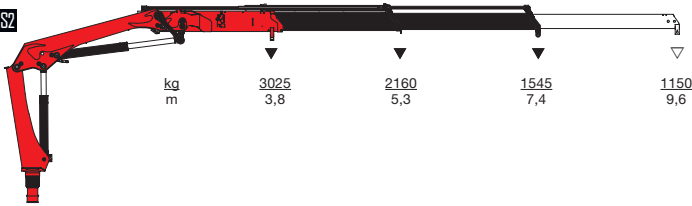


- power to lift

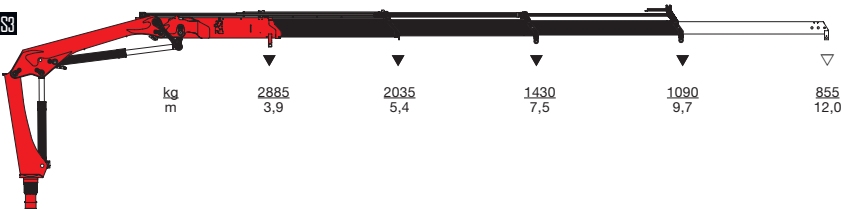
HMF 1230-KS1



HMF 1230-KS2



HMF 1230-KS3



▼ Lifting capacity without manual extensions
 ▽ Lifting capacity with manual extensions



- power to lift
HMF Group A/S

Oddervej 200 · DK-8270 Højbjerg
 Tel.: +45 8627 0800 · Fax: +45 8627 0744 · info@hmf.dk

www.hmf.dk

Z008789-01

We reserve the right to introduce improvements and modifications